

Mi-T-M[®] CORPORATION

8650 Enterprise Drive, Peosta IA 52068

319-556-7484 / Fax 319-556-1235

PARTS LIST FOR CW-3255-3MV0

Engine Oil Grade:
Engine Oil Capacity:
Pump Oil Grade:
Pump Oil Capacity:
Nozzle Size:

Above 40°F=SAE 30/Below 40°F=SAE10W-30
56 oz.
Mi-T-M Pump Oil #AW-4085-0016
40.6 oz.
5.5

This Parts Listing has been compiled for your benefit. You can be assured your Mi-T-M Cold Water Pressure Washer was constructed and designed with quality and performance in mind using over 25 years experience in the pressure washer business. Each component has been rigorously tested to insure the highest level of acceptance.

The contents of this Parts Listing are based on the latest product information available at the time of publication. Mi-T-M reserves the right to make changes in price, color, materials, equipment, specifications or models at any time without notice.

WARNING

THIS IS A PROFESSIONAL HIGH PRESSURE, COLD WATER PRESSURE WASHER. CAUTION SHOULD BE OBSERVED WHEN USING OR REPAIRING THIS UNIT! READ AND FOLLOW THE SAFETY WARNINGS LISTED BELOW BEFORE ATTEMPTING ANY REPAIRS ON THIS PRESSURE WASHER!

SAFETY WARNINGS

1. NEVER alter or modify the equipment. Be sure any accessory items and system components being used will withstand the pressure developed. Use only genuine Mi-T-M parts for repair of your pressure washer. Failure to do so can cause hazardous operating conditions and will VOID warranty.
2. NEVER make adjustments on machinery while the unit is connected to the power source. Turning over the machinery by hand during adjustment or cleaning might start the machinery, causing serious injury to the operator.
3. Know how to stop and bleed pressures quickly. Be thoroughly familiar with controls.
4. Before servicing the unit, turn unit off, relieve the water pressure and allow the unit to cool down. Do not make repairs while the unit is running. Service in a clean, dry, flat area.
5. After testing the machine, DO NOT leave the pressurized unit unattended. Shut off the unit and release trapped pressure before leaving.

Table of Contents

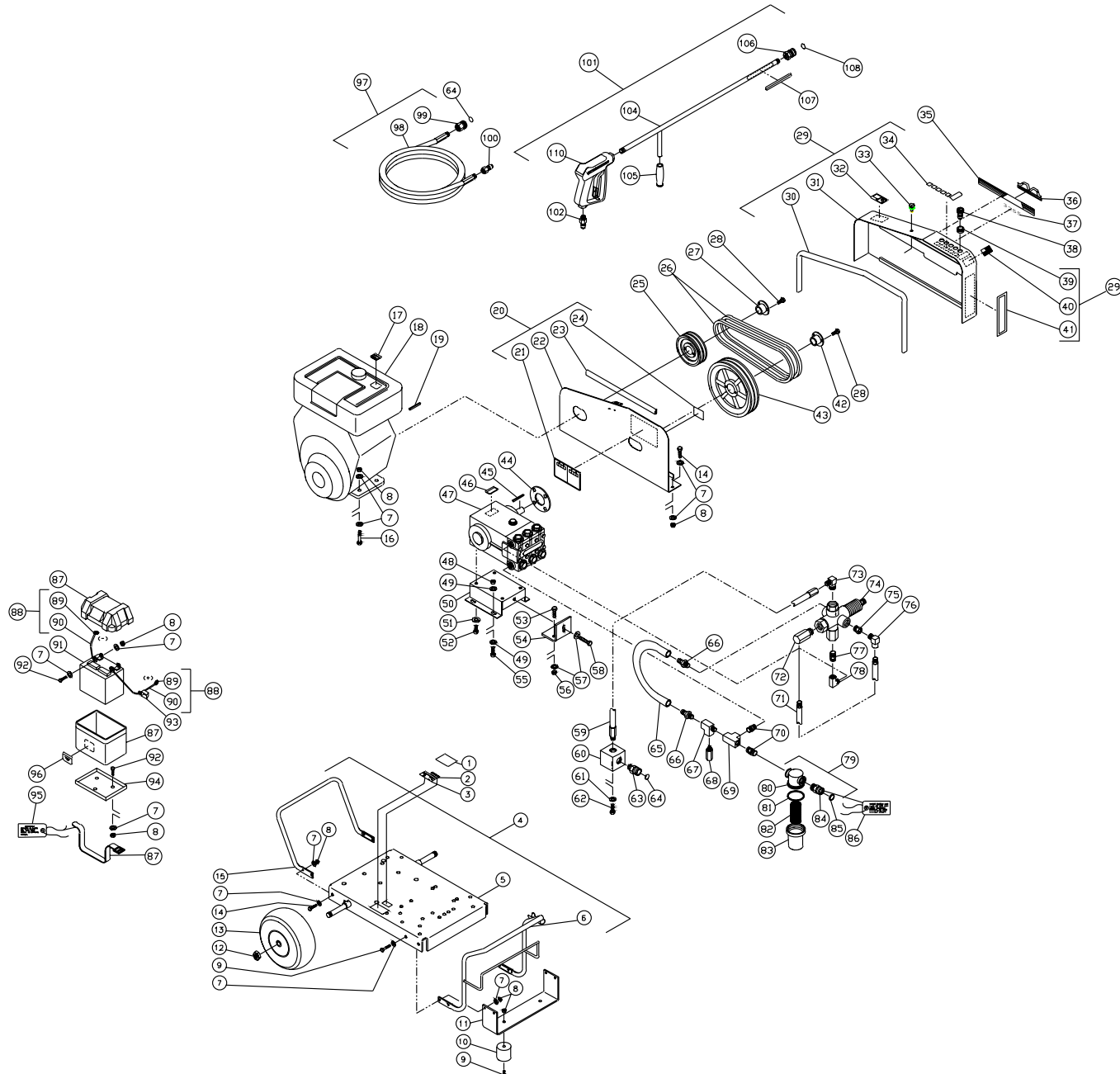
SPECIFICATIONS	3
FRAME ASSEMBLY FOR CW-3255-3MV0	4
PUMP ASSEMBLY (3-0011)	6
UNLOADER ASSEMBLY (8-0270)	8
GUN ASSEMBLY (16-0001)	10

SPECIFICATIONS

CW-3255-3MV0

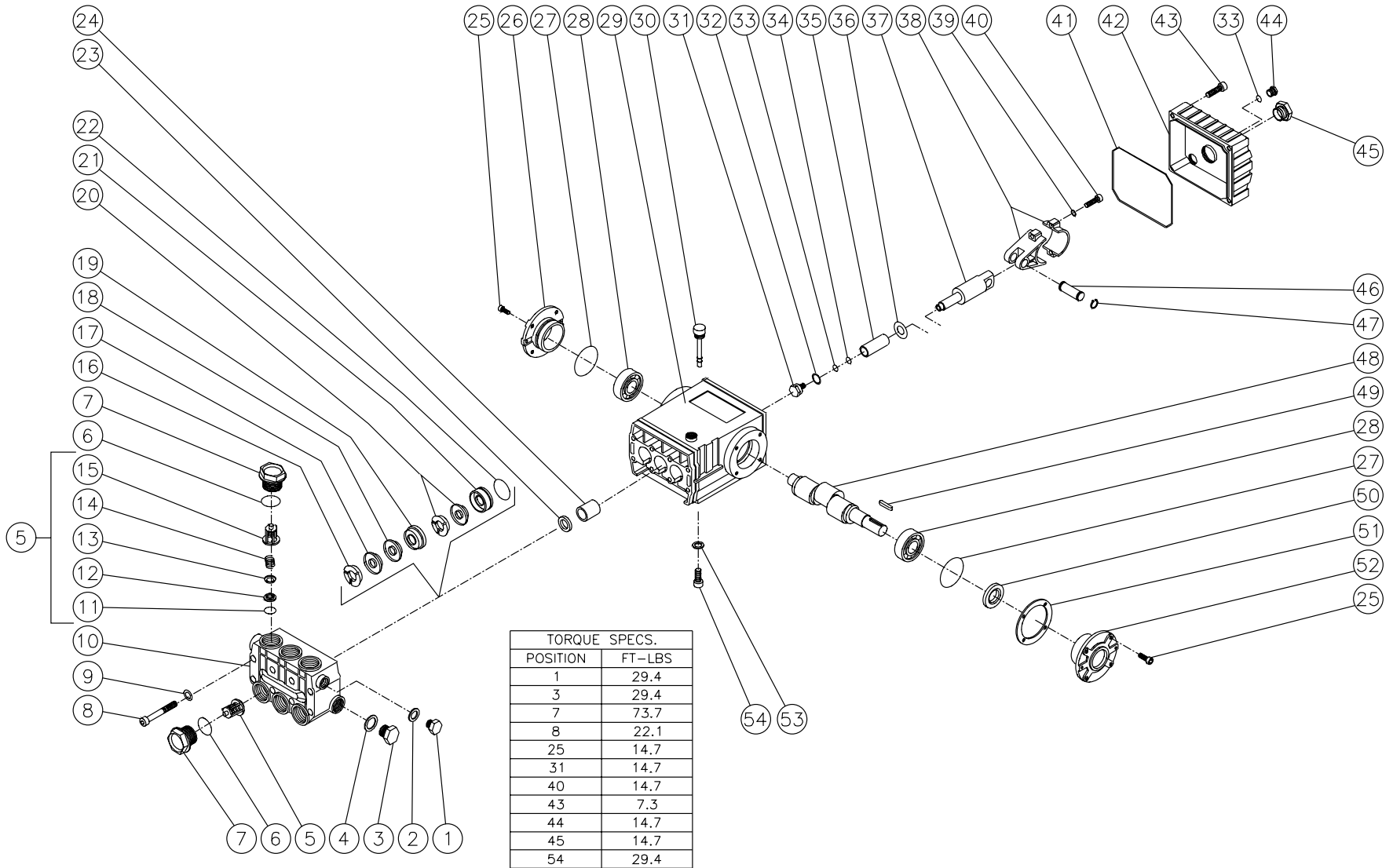
MODEL NUMBER	CW-3255-3MV0
Operating Pressure (PSI/Bar):	3200/220.6
High Pressure Nozzle:	5.5
Water Volume (GPM/lpm):	4.9/18.5
Engine:	Briggs & Stratton
Horsepower	16.0
Engine Type	Four Stroke, Overhead Valve, Single Cylinder
Oil Type	Above 40 F=SAE 30/Below 40 F=SAE10W-30
Oil Capacity (oz./liter)	56/1.7
Low Oil Protection	Oil Guard
Fuel Type	Unleaded Gasoline 86 Octane Minimum
Fuel Capacity (Qt./liter)	2.25/8.5
Starting	Recoil Rope
Maximum No Load RPM	3600 (+/- 100)
Pump:	Direct Driven, Oil Bath, Triplex Piston
Oil Type	Mi-T-M Pump Oil #AW-4085-0016
Oil Capacity (oz./liters)	40.6/1.2
Plungers	Ceramic Coated
Manifold	Forged Brass
Valves	Stainless Steel
Unloader	Preset
Heat Dump Valve	Relieves heated water during unloader bypass stage
Unit Net Weight (lbs/Kg)	250/113
Unit Shipping Weight (lbs/Kg)	328/149
Unit Net Dimension (in/cm)	46Lx28Wx30H/117Lx71Wx76H
Unit Shipping Dimension (in/cm)	49Lx30.5Wx35.5H/124Lx77.5Wx90H

FRAME ASSEMBLY FOR CW-3255-3MV0



FRAME ASSEMBLY FOR CW-3255-3MV0											
REF. #	DESCRIPTION	PART #	QTY.	REF. #	DESCRIPTION	PART #	QTY.	REF. #	DESCRIPTION	PART #	QTY.
1	Decal- Clear Laminate	N/A	1	39	Grommet	33-0001	5	80	Strainer Cap	19-0058	1
2	Decal- Data Plate	N/A	1	40	Decal- American Flag	34-0521	1	81	Strainer Gasket	26-0160	1
3	Decal- Serial Number	N/A	1	41	Decal- Operating Instructions	34-0499	1	82	Strainer Steel Screen	19-0059	1
4	Base Plate Assembly (Inc. 5-15)	851-0235	1	42	Bushing	9-0017	1	83	Strainer Bowl	19-0060	1
5	Base Plate	5-0078A01	1	43	Sheave	10-0040	1	84	Garden Hose Swivel	23-0095	1
6	Handle	7-0101A01	1	44	Pump Isolator	33-0202	1	85	Garden Hose Gasket	26-0001	1
7	Washer	28-0003	30	45	Key w/Pump	43-0028	1	86	Tag- Water Supply Inlet	34-0097	1
8	Locknut	30-0157	22	46	Decal: Pump 3-0011	34-0393	1	87	Battery Box	33-0092	1
9	Bolt	27-0068	6	47	Pump	3-0011	1	88	Battery Cable Assembly (Inc. 89, 90)	851-0082	2
10	Isolator	14-0008	2	48	Locknut	30-0161	4	89	Battery Terminal	32-0044	2
11	Underbracket	13-0042A01	1	49	Washer	28-0030	8	90	Battery Cable- Negative	32-0062	1
12	Jamnut	30-0117	2	50	Pump Bracket	5-0101A01	1	-	Battery Cable- Positive	32-0062	1
13	Wheel	14-0006	2	51	Washer w/Pump	29-0055	4	91	Battery	32-0058	1
14	Bolt	27-0067	8	52	Bolt w/Pump	27-8471	4	92	Bolt	27-0066	4
15	Handle	7-0111A01	1	53	Bolt	27-0118	2	93	Battery Cable Cover	33-0004	1
16	Bolt	27-0070	4	54	Brace Tightener	13-0003A01	1	94	Battery Retainer	20-0264	1
17	Decal- Caution: Allow to Cool	34-0588	1	55	Bolt	27-0166	4	95	Tag- Battery	34-0096	1
18	Engine- 16 H.P. Vanguard	851-0099	1	56	Locknut	30-0159	2	96	Decal- Caution: Disconnect Battery	34-0589	1
19	Key	43-0078	1	57	Washer	28-0023	3	97	Pressure Hose Assembly (Inc. 98-100)	851-0006	1
20	Beltguard Back Assembly (Inc. 21-24)	851-0215	1	58	Bolt	27-0576	1	98	Pressure Hose	15-0004	1
21	Decal- Warning/Caution	34-0498	1	59	Hose	15-0141	1	99	Quick Connect Socket	17-0004	1
22	Beltguard Back (See 851-0215)	N/A Sep.	1	60	Manifold Block	51-0012	1	100	Quick Connect Plug	17-0006	1
23	Edging *(Two Feet Required)	33-0020	1	61	Washer	29-0008	2	101	Gun/Wand Assembly (Inc. 102-106)	851-0095	1
24	Decal- Warning: Beltguard Cover	34-0575	1	62	Bolt	27-0116	2	102	Quick Connect Plug	17-0005	1
25	Sheave	10-0025	1	63	Quick Connect Socket	17-0029	1	103	Gun	16-0001	1
26	Belt	11-0011	2	64	O-ring (Replacement Only)	25-0123	-	104	Wand w/ 36" Handle	16-0120A01	1
27	Bushing	9-0005	1	65	By-Pass Hose	15-0022	1	105	Grip Handle	7-0002	1
28	Bolt w/Bushing	27-0015	1	66	Hose Barb	23-0005	2	106	Quick Connect Socket	17-0001	1
29	Beltguard Cover Assembly (Inc. 30-34, 39-41)	851-0216	1	67	Tee	23-0124	1	107	Decal- Warning: Risk of Injection	34-0572	1
30	Edging *(Four Feet Required)	33-0020	1	68	Heat-Dump Valve	22-0005	1	108	O-ring (Replacement Only)	25-0122	-
31	Beltguard Cover (See 851-0216)	N/A Sep.	1	69	Tee	23-0043	1	*Must Order in One Foot Lengths			
32	Decal- Warning: Muffler Hot	34-0130	1	70	Hex Nipple	23-0012	2				
33	Fastener	33-0197	1	71	Hose	15-0140	1				
34	Decal- Die Cut Nozzles	34-0500	1	72	Easy Start Valve	22-0146	1				
35	Decal- Mi-T-M Stripe	34-0501	1	73	Elbow	24-0074	1				
36	Mi-T-M Logo	62-0086	1	74	Unloader	8-0270	1				
37	Decal- Die Cut 3255	34-0365	1	75	Hex Reducer	23-0056	1				
38	Spray Nozzle- 0005.5	18-0035	1	76	Elbow	23-0237	1				
-	Spray Nozzle- 1505.5	18-0041	1	77	Hex Nipple	24-0024	1				
-	Spray Nozzle- 2505.5	18-0062	1	78	Elbow	24-0105	1				
-	Spray Nozzle- 4005.5	18-0132	1	79	Complete Strainer (Inc. 80-84)	19-0057	1				

PUMP ASSEMBLY (3-0011)

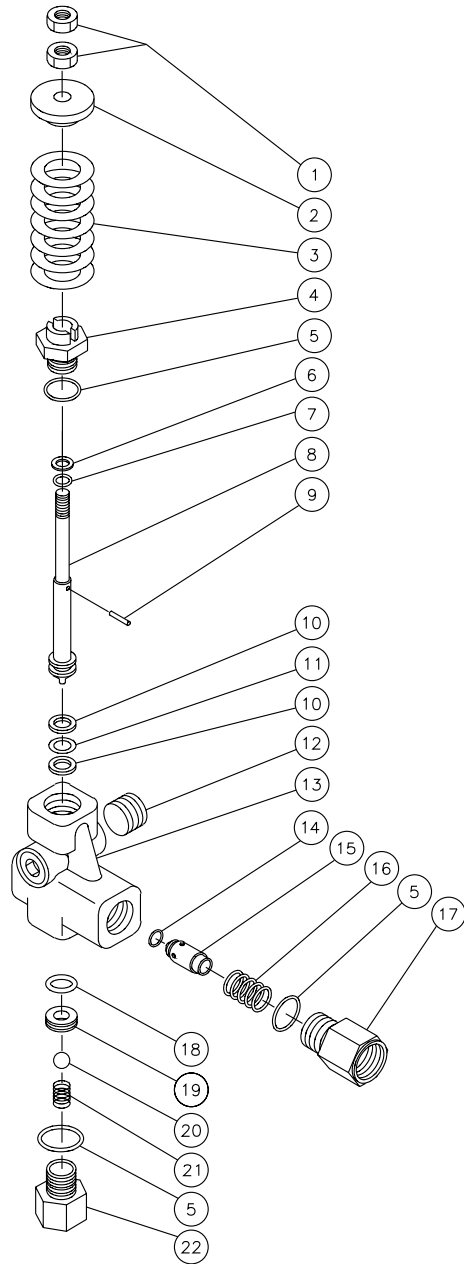


3-0011-102899-RD

PUMP ASSEMBLY (3-0011)

REF. #	DESCRIPTION	PART #	QTY.	REF. #	DESCRIPTION	PART #	QTY.	REF. #	DESCRIPTION	PART #	QTY.
1	Plug	39-0018	1	21	Low Pressure Seal Retainer	46-0057	3	41	O-ring Cover	25-0339	1
2	Washer	28-1002	1	22	O-ring	25-0015	3	42	Crankcase Cover	46-0295	1
3	Plug	39-0019	1	23	Oil Seal	26-0047	3	43	Bolt	27-8404	5
4	Washer	28-1038	1	24	Bushing	9-0029	3	44	Plug	39-0017	1
5	Valve Assembly (Inc. 11-15) (See 70-0009)	N/A Sep.	6	25	Bolt	27-8431	8	45	Oil Level Indicator	46-0114	1
6	O-ring	25-0012	6	26	Crankcase Cover	46-0336	1	46	Connecting Rod Pin	43-0032	3
7	Valve Plug	39-0021	6	27	O-ring	25-0013	2	47	Retaining Ring	46-0103	6
8	Bolt	27-8185	8	28	Bearing	48-0012	2	48	Crankshaft	46-0050	1
9	Flatwasher	28-1039	8	29	Crankcase	46-0047	1	49	Key	43-0048	1
10	Manifold	46-0061	1	30	Oil Dip Stick	46-0144	1	50	Oil Seal	26-0049	1
11	O-ring (See 70-0009)	N/A Sep.	6	31	Bolt	46-0069	3	51	Shim	46-0113	1
12	Valve Seat (See 70-0009)	N/A Sep.	6	32	Gasket	28-0400	3	52	Crankcase Open Cover	46-0296	1
13	Valve Plate (See 70-0009)	N/A Sep.	6	33	O-ring	25-0014	4	53	Lockwasher	29-0055	4
14	Valve Spring (See 70-0009)	N/A Sep.	6	34	Back-up Ring	46-0109	3	54	Bolt	27-8471	4
15	Valve Cage (See 70-0009)	N/A Sep.	6	35	Plunger	46-0052	3		Valve Assembly (6 each 5, 11-15)	70-0009	
16	High Pressure Head Ring (See 70-0030)	N/A Sep.	3	36	Washer	46-0146	3		Head Ring Kit (3 each 16)	70-0030	
17	High Pressure V-Packing(See 70-0147)	N/A Sep.	3	37	Piston Rod	46-0056	3		V-Packing Kit (3 each 17, 18, 20)	70-0147	
18	V-Packing Support (See 70-0147)	N/A Sep.	3	38	Connecting Rod	46-0051	3		Intermediate Retainer (3 each 18, 19)	70-0148	
19	High Pressure Intermediate Seal Retainer	46-0659	3	39	Lockwasher	29-0154	6		V-Packing Assembly (3 each 16-20, 22)	852-0122	
20	Low Pressure Seal (See 70-0147)	N/A Sep.	3	40	Bolt	27-8435	6				

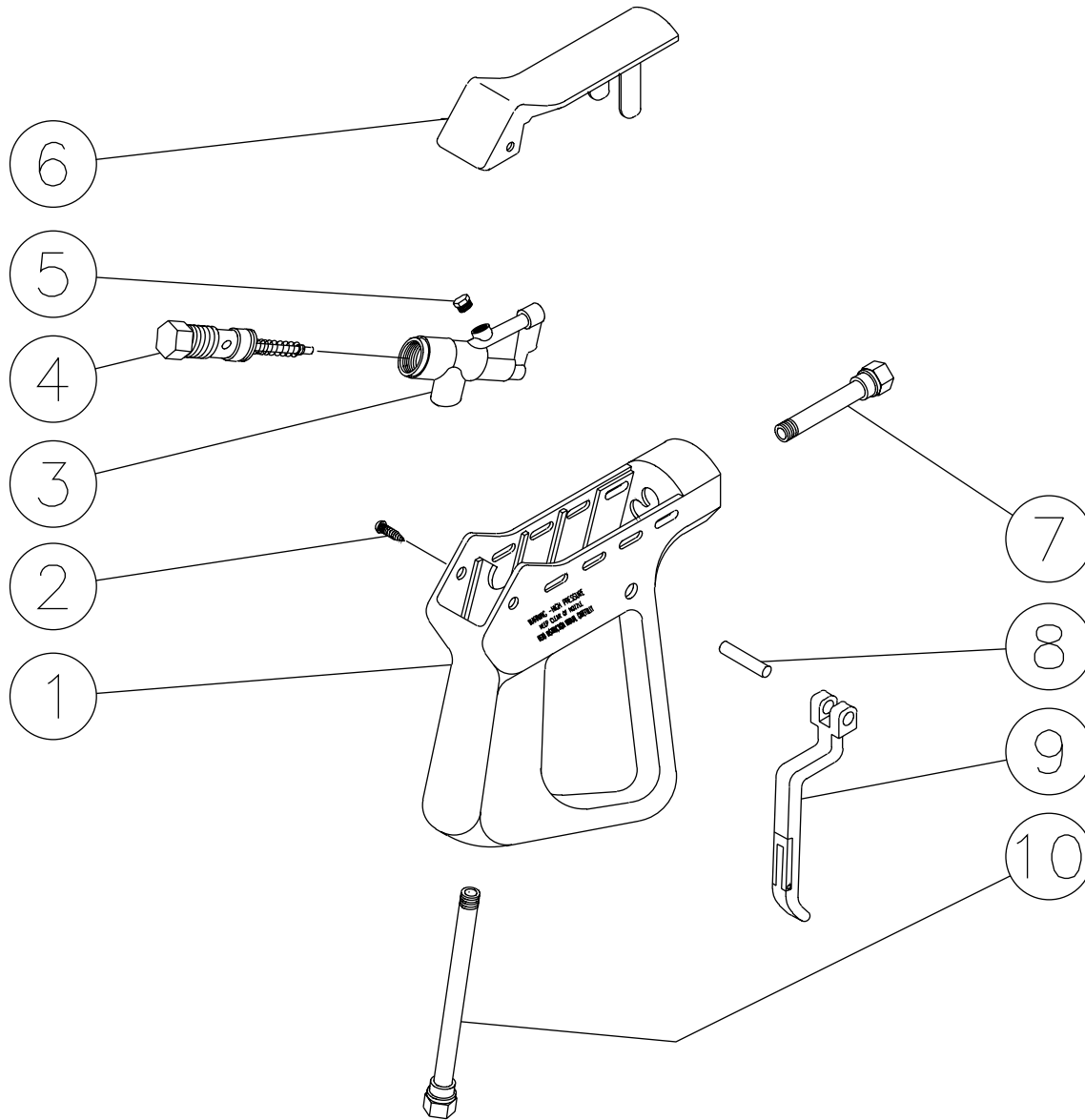
UNLOADER ASSEMBLY (8-0270)



OMGEN043-083094-BAR

UNLOADER ASSEMBLY (8-0270)			
REF. #	DESCRIPTION	PART #	QTY.
1	Hex Nut	30-7203	2
2	Spring Guide	8-0278	1
3	Spring	49-0111	1
4	Piston Housing	8-0279	1
5	O-ring	25-0189	3
6	Back-up Ring	8-0277	1
7	O-ring	25-0192	1
8	Piston	8-0280	1
9	Pin	43-0059	1
10	Back-up Ring	8-0276	2
11	O-ring	25-0191	1
12	Plug	39-0055	2
13	Valve Housing	8-0275	1
14	O-ring	25-0193	1
15	Check Valve	22-0127	1
16	Spring	49-0058	1
17	Outlet Connection	8-0271	1
18	O-ring	25-0190	1
19	Seat	8-0272	1
20	Ball	8-0273	1
21	Spring	49-0059	1
22	Inlet Connection	8-0274	1
	Unloader Kit (5-7, 10, 11, 14, 18-20)	70-0107	1

GUN ASSEMBLY (16-0001)



16-0001-110399-RD

GUN ASSEMBLY (16-0001)			
REF. #	DESCRIPTION	PART #	QTY.
1	Plastic Housing	16-0008	1
2	Screw	27-3230	2
3	Brass Housing	16-0012	1
4	Gun Repair Kit	70-0055	1
5	Brass Plug	39-0024	1
6	Plastic Cover	16-0009	1
7	Pipe Assembly	16-0013	1
8	Trigger Pin	16-0063	1
9	Trigger/Safety Lock-off	16-0010	1
10	Pipe Assembly- Inlet	16-0016	1
	Complete Gun Assembly	16-0001	1

